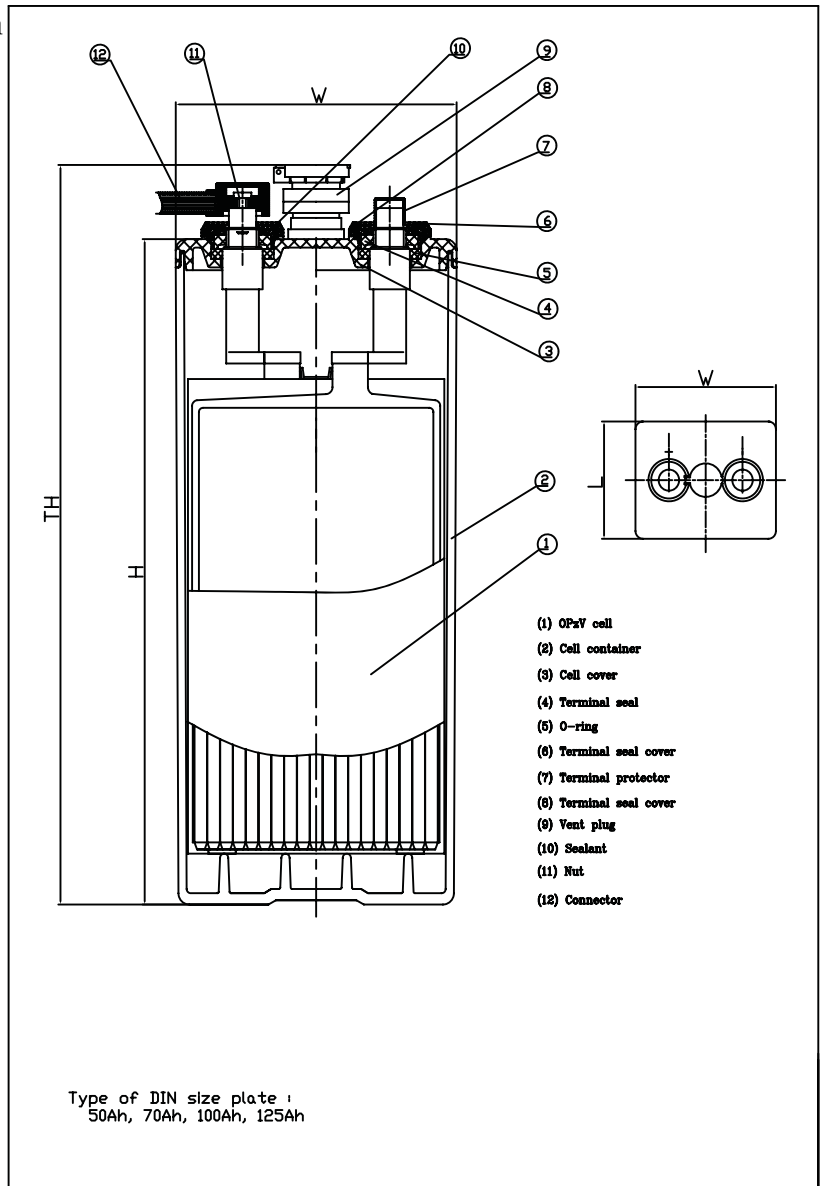
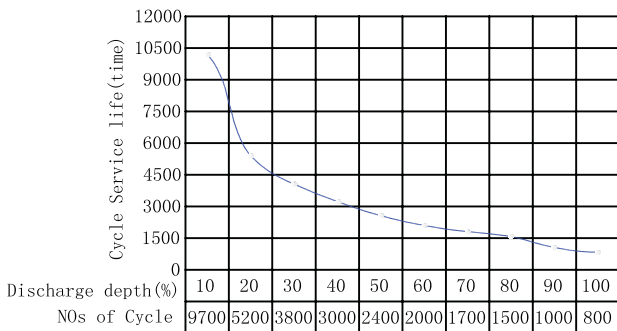


Vented Tubular Stationery OPzS Battery

Model	Voltage	10HR Capacity	Dimension (mm)				Weight (Kg)	
		(Ah) FV. 1.80V	L	W	H	TH	Dry	Wet
4-OPzS-200	2	200	103	206	354	409	13.2	17.2
5-OPzS-250		250	124	206	354	409	16.2	20.8
6-OPzS-300		300	145	206	354	409	19.2	24.3
5-OPzS-350		350	124	206	470	525	19.4	26.9
6-OPzS-420		420	145	206	470	525	23.4	31.5
7-OPzS-490		490	166	206	470	525	27.4	36.1
6-OPzS-600		600	145	206	645	700	33.9	44.8
8-OPzS-800		800	191	210	645	700	45.3	61.3
10-OPzS-1000		1000	233	210	645	700	55.5	74.6
12-OPzS-1200		1200	275	210	645	700	65.8	88.0
12-OPzS-1500		1500	275	210	795	850	87.0	114.3
16-OPzS-2000		2000	399	214	771	826	123	116
20-OPzS-2500		2500	487	212	771	826	152	204
24-OPzS-3000		3000	576	212	771	826	179	242

Relation curve between discharge depth and cycle service life



VRLA Tubular Maintenance Free GEL Battery

Model	Voltage	Rated Capacity (Ah)			Dimension (mm)				NOs. OF POST	WEIGHT (Kg)
		10HR	5HR	1HR	L	W	H	TH		
		Final Voltage (V)								
1.80	1.70	1.60								
OPzV 150	2	150	121	98	104	207	356	385	2	15.2
OPzV 200		200	162	130	104					18.3
OPzV 250		250	202	163	125					22.2
OPzV 300		300	243	195	146					25.7
OPzV 350		350	283	228	125					28.5
OPzV 420		420	340	273	146	2	472	501	34.0	
OPzV 490		490	396	319	167				38.0	
OPzV 600		600	486	390	146				47.0	
OPzV 800		800	648	520	192	211	647	676	4	63.0
OPzV 1000		1000	810	650	234					77.8
OPzV 1200		1200	972	780	276					91.5
OPzV 1500		1500	1215	975	276					112.0
OPzV 2000		2000	1620	1300	400					6
OPzV 2500		2500	2025	1625	488	188.0				
OPzV 3000		3000	2430	1950	577	223.0				

FLOATING CHARGE VOLTAGE

