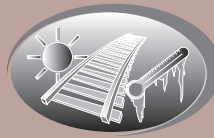




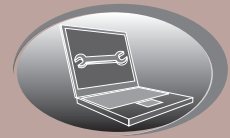
Motive Power Systems



Reserve Power Systems



Special Power Systems



Service

OPzV

Valve regulated lead-acid battery

Product features

Customer benefits

■ Gel technology

- Reduced maintenance (no water refilling)
- Horizontal operation (option)

■ Tubular plate

- Long life in cyclic operation

■ DIN product of up-to-date design

- Compatibility with existing installations

■ Composite terminal/system connector

- No corrosion
- Prevents short-circuits even during installation

Main applications:



IT/Telecom



Emergency lighting



Solar



Signalling equipment



Similar to the illustration

Type overview

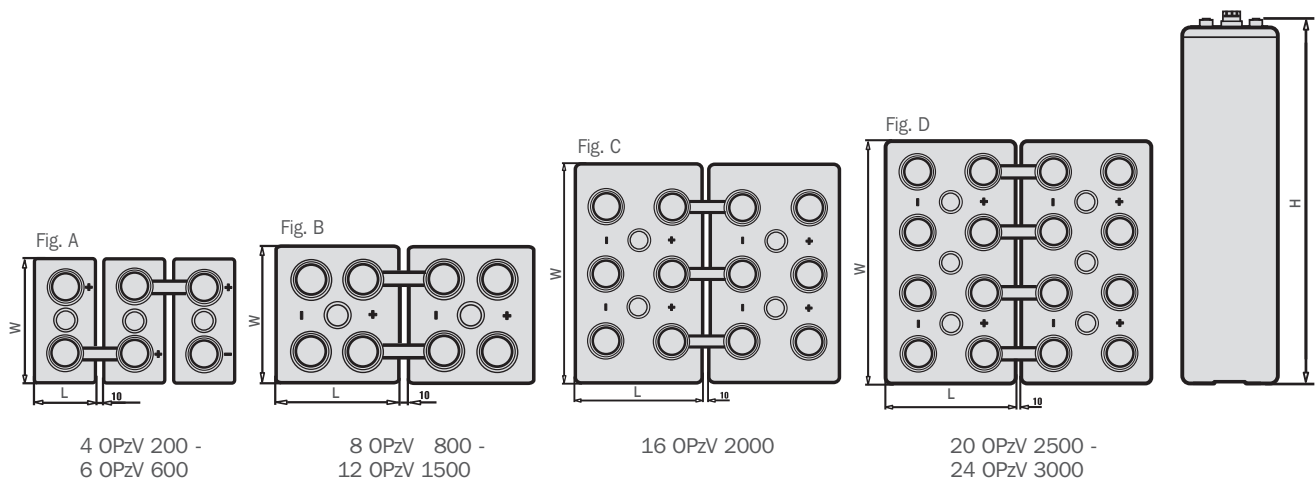
Capacities, dimensions and weights

Type	C _{nom} /1.80 V Ah	C ₁₀ /1.80 V Ah	C ₅ /1.77 V Ah	C ₃ /1.75 V Ah	C ₁ /1.67 V Ah	Max. Weight kg	Length L mm	Width W mm	Height H mm	Fig.
4 OPzV 200 (*)	200	213	199	183	141	20.0	105	208	420	A
5 OPzV 250 (*)	250	267	248	228	177	24.0	126	208	420	A
6 OPzV 300 (*)	300	320	298	274	212	28.0	147	208	420	A
5 OPzV 350 (*)	350	412	365	324	236	31.0	126	208	535	A
6 OPzV 420 (*)	420	494	438	387	283	37.0	147	208	535	A
7 OPzV 490 (*)	490	577	510	453	330	42.0	168	208	535	A
6 OPzV 600 (*)	600	718	625	543	388	50.0	147	208	710	A
8 OPzV 800 (*)	800	958	835	723	517	68.0	215	193	710	B
10 OPzV 1000 (*)	1000	1200	1040	906	646	82.0	215	235	710	B
12 OPzV 1200 (*)	1200	1440	1250	1086	775	97.0	215	277	710	B
12 OPzV 1500 (*)	1500	1570	1315	1146	795	120.0	215	277	855	B
16 OPzV 2000	2000	2090	1750	1530	1059	165.0	215	400	815	C
20 OPzV 2500	2500	2620	2190	1911	1324	200.0	215	490	815	D
24 OPzV 3000	3000	3140	2625	2295	1589	240.0	215	580	815	D

C_{nom} = Nominal capacity at 10 h discharge according to DIN 40742

C₁₀, C₅, C₃ and C₁ = Capacity at 10 h, 5 h, 3 h and 1 h discharge

(*) = Horizontal operation possible



Expected service life: up to 18 years

Endurance in cycles: up to 1200 discharges at 80% DOD