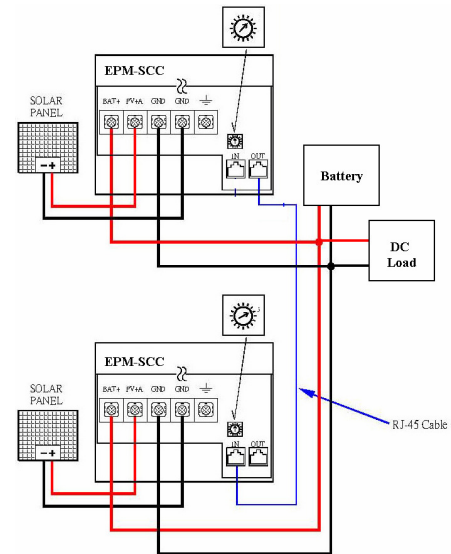
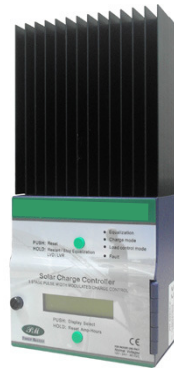


EPMSCC series Solar Charge Controller

The EPMSCC series Solar Charge Controller supports both professional and consumer applications with 3 Stage pulse width modulated charge control and can be paralleled (Maximum 10 sets) at will, according to Load demand.

Features

- Battery charging, Load control or Load diversion regulation
- High reliability with large heat sink and conservative design enables operating at full ratings to 45°C.
- Comprehensive system operation status information with built-in metering display and controller with optional provision for external metering when required.
- Multi-languages display capability
- Remote communications capability with RS-422 connects to a personal computer for custom settings, data logging and remote monitoring and control.
- 3 Stage pulse width modulated charging
- Fully adjustable charging curve with DIP switch, supports up to 5 setting battery selection.
- Parallel connection (Max. 10 sets)
- Other Enclosure or EN60529 IP rating, optional



Technical Specifications

Model No.	EPM-SCC-30	EPM-SCC-45	EPM-SCC-60
Electrical Specifications			
Rated Solar, Load or Diversion current	30A	45A	60A
System Voltage	12V / 24V / 48V		
Accuracy	12/ 24: ≤0.1% ±50mV, 48V: ≤0.1% ±100mV		
Min. voltage to operate	9V		
Max. solar voltage (Voc)	125V		
Max. operating voltage	64V		
Power consumption	Controller <30mA (Include LCD meter)		
	Meter 7.5mA		
Environmental Specifications			
Operating ambient temperature	Controller -10°C to +45°C		
	Storage temperature: -55°C to +85°C		
Humidity	100% (non-condensing)		
Tropicalization	Conformal coating on both sides of all printed circuit boards		
Mechanical Specifications			
Dimensions (L x W x H mm)	127 x 75 x 260		
Weight (by Kg/s)	2		
Largest Wire	35mm ² / 2AWG		
Enclosure	Indoor Rated		
Electronic Protections			
Reverse polarity protection (any combination)			
Short-circuit protection			
Over-current protection			
Lightning and transient surge protection using 4500W transient voltage suppressors			
High temperature protection via automatic current reduction or complete shut down			
Prevents reverse current from battery at night			

EDPN Technologies Pte Ltd

63 Hillview Avenue #09-15B Lam Soon Industrial Building Singapore 669569

Tel: +65 67636511

Fax: +65 67646511

Email: eddy.poon@edpn.biz