

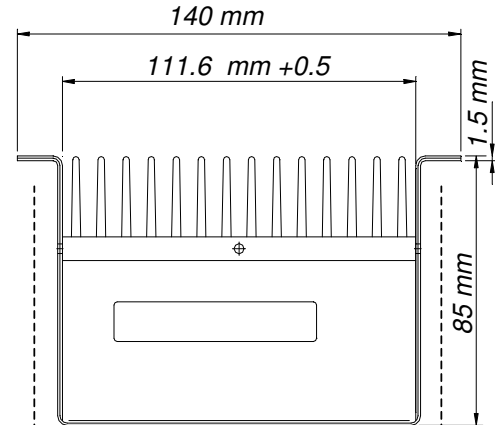
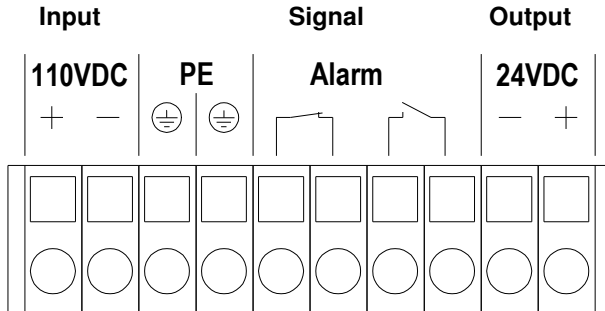
Let's talk!

DC-DC Converter DCDCW300-110-24

For Rail & Industrial Applications

Specification

Connection Characteristic

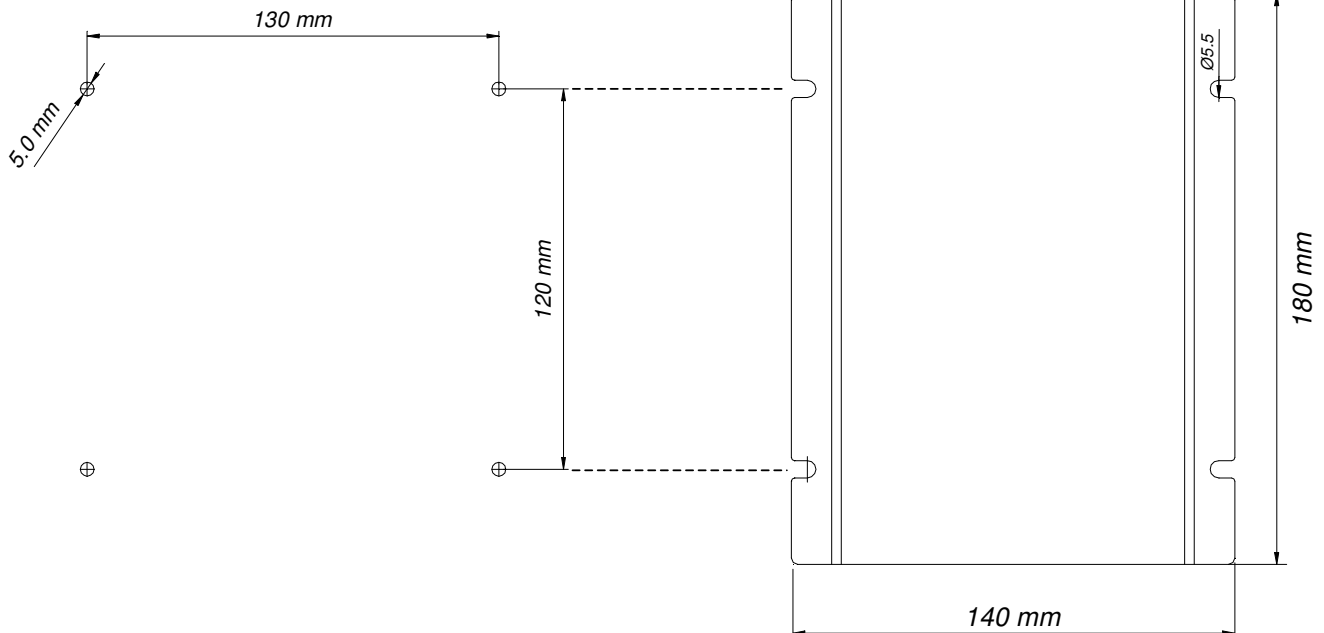


Connector Type:

Pluggable Cage Clamp-Connector, 10 pole, 2,5 mm², with Locking Function, Manufacturer: Wago.

Mechanical Data:

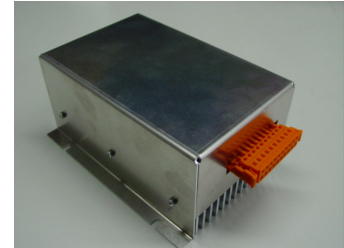
Drill position



DC-DC Converter DCDCW300-110-24

For Rail & Industrial Applications

Specification



Picture may differ from actual device

General

Safety EN 60950, VDE 0805
Overload- and short-circuit protected

Galvanic isolation 3.75 kV DC

Electrical Data:

Input

Nominal Input Voltage $U_n = 110$ VDC
Input Voltage Range 77-150 VDC (0,7 – 1,36 x U_n),
shortly up to 165 VDC / 1 s

Output

Nominal Output Voltage 24 VDC, isolated, "floating"
Adjustable 22 VDC – 26 VDC
Stability $\pm 0,5$ VDC
Efficiency >85 %
Output Power 300 W
Parallel Operation via passive load current sharing,
falling curve

Ambient:

Ambient Temperature -25 to +45 °C
At Installation Point -25 °C to 60 °C

Relative Humidity $< 75\%$ average per year
(in combination with Option: -1: Coating)

Shock and Vibration accord. EN50155, „mounted in the frame“
Frequency range: 5-150 Hz
Transfer frequency: 8,2 Hz
Amplitude Below of Transit frequency:
7,5 mm

Amplitude Acceleration. Above of Transit frequency:
20 m/s²

EMC:

Burst accord. EN50121-3-2,
2 kV, Crit. A, direct coupled
Surge 1,8 kV / Source 100 Ohm,
1,0 kV / Source 2 Ohm,
(Test not valid for alarm contact)

Conductive HF 3 V RMS 1kHz AM, 80%,
150 kHz - 80 MHz

ESD 8 kV Air, 6 kV contact
Emitted disturbance
Immunity 10 V/m 80 MHz-1GHz, 80 % AM,
900 MHz pulse modulated

Conductive disturbance,
emitted 99 dB μ V QP 150 kHz- 500 kHz,
93 dB μ V 500 kHz-30 MHz

Conductive disturbance,
emitted 30-230 MHz 47 dB μ V/m QP.
230MHz-1GHz 40 dB μ V/m QP.
10 m measuring distance

Test Voltage accord. EN50155 with
1,5 kVAC (Prim.-> Sec.)

Insulation Test 500 VAC (Sec.->PE)

Isolation Resistance 500 VDC (Prim.->Sek.)

Signal

Alarm Output Potential free Alarm contact,
Contact 60 VDC, 100 mA

Opt. Signal LED, yellow = Converter o.k.

Mechanical Data:

Dimension (B x T x H) 140 x 180 x 85 mm
Weight approx. 3 kg
Protection Class IP 30 (IP 65 upon request)
Cooling natural via Heat sink,
Back plane, free convection

Connection:

Input Cage spring clamp, 2,5 mm²

Output Cage spring clamp, 2,5 mm²

Signal Cage spring clamp, 2,5 mm²

Warranty 24 Month

Order Code

DCDCW300-110-24

Options:

-1 Formal Coating
add. Glued components