

# AC-DC Converter ACDC500-230-67

Universal Power Supply for Telecom Applications

## Specification

### General:

Electrical Safety	EN 60950
Protection Class	1
Isolation group	Pollution degree 2
Inflammability	according UL 94V0

### Electrical Data:

#### Input

Mains Input Voltage nom.	Un = 230 VAC
Voltage range	197 – 265 VAC
Commercial Power Line	TT and TN-Net according EN 60950
Frequency Range	45-66 Hz, sine wave
Mains Connection	1-2 phase
Recommended Fuse protection ea. Phase	external 4A circuit breaker, C-Characteristic

#### Output

Output Voltage nom.	-67 VDC, Positive pole is connected with chassis / Protective Earth
Output current $I_{nom}$	3,7 A ea. 250 W Module
Output power	up to 500W, Module power size = 250 W, without Derating up to 50 °C
Overload	1,2 x $I_{nom}$
Efficiency	> 90 %
Mains hum at full load	≤ 100 mVpp at 197 VAC Input
Ripple at full load	≤ 200 mVpp (20 MHz)
Mains regulation	≤ 0,1% (197/264 VAC)
Load regulation	≤ 1% (10/90 % Load jump)
Recovery time	≤ 1 ms (10/90 % Load jump)
OVP threshold	75 VDC
TK of output voltage	≤ 0,05 % / °C
Current limitation	Constant current, short-circuit proof
Paralleling function	2 x 250 W Module in one module rack, separate redundant mains input lines, (A + B System), AC 2 has priority

Number of outputs from the module rack	5 Outputs from internal current distribution
Output Protection	Adjustable electronically fuse, 0-8 A via rotary selector, located at the front panel

Output characteristic	UI Characteristic
-----------------------	-------------------

### Environmental conditions:

Conditions:	
during operation	-5°C to +50°C, non-condensing
during transport	-40°C to +85°C (in original packing)
during stocking	-40°C to +85°C
Air humidity :	
During operation	0 % to 100 % relative humidity, start-up after drying up
During stocking in original packing	0 % to 99 % relative humidity
Max. Operation altitude	2000 Meter



Picture may differ from actual device

### EMC:

Emission	EN 50081-1/2, EN 55022 B
Immunity	EN 55024, EN 61000-6-2 (Industrial areas)
Burst (EFT)	4 kV, 50 Ohm, direct coupled
Surge	2 kV
ESD	15 kV Air, 8 kV conducted

### Reliability:

Life utility	≥ 8 years, MTBF ≥ 50 y
--------------	------------------------

### Signaling

Alarm contact	potential free, 3-pole access (COM-NC-NO), max. 125VDC/0,5A
Signals for	Disturbance of Power supply module Mains A Mains B
Visual	ea. 250W Module : LED (green) Power Supply o.k. ea. DC Output in the module rack: LED (red) Status of electronically fuses

### Mechanical Data:

Case material	Sheet steel, zinc-plated
Construction	19" rack mounting
Dimension:	
Baugruppenträger	19", 1 U, Depth = 260 mm
250 W Module	130 x 40 x 160 mm
Weight:	
Module carrier	approx. 6 kg (full rack)
250 W Module	approx. 1,5 kg
Protection	IP 20
Cable access	rear side
Cooling	forced ventilation, temperature controlled fan in each 250 W module

### Connection Terminals:

Mains Input AC1/2	IEC Inlet connector, EN60320
Output DC	Pluggable Screw Clamps, Type Phoenix CombiCon, 3 pole Connector, Type Phoenix MC 1,5/17-G3,5/1,5 mm <sup>2</sup>
Alarm contact	

# AC-DC Converter ACDC500-230-67

Universal Power Supply for Telecom Applications

## Specification

### Electrical Safety:

Norm EN 60950, UL 94  
 Protection Class 1 according EN 60950  
 Isolation Group Pollution degree 2, according EN 60950  
 Leakage Current < 2,5 mA

### Protection Functions:

AC Input against Over Voltage acc. EN 61000-4-1 (VDE 0160): 750VAC 0,1/1.3 ms  
 DC Output Current Limiting electronically Fuse for each output

### Marking:

Safety relevant parts acc. DIN EN 60950

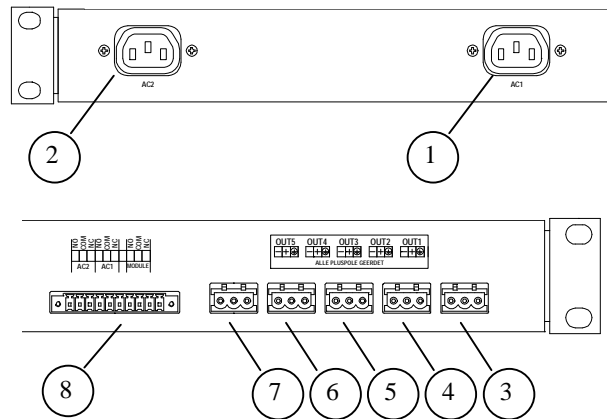
### Warranty:

24 Month

### Order Code:

ACDC500-230-67

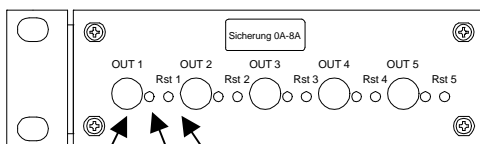
### Connectors (Rear side):



No.	Function	Description	Type
1	AC-IN 1 / 230 Vi / 50 Hz	AC1	Inlet connector EN60320
2	AC-IN 2 / 230 Vi / 50 Hz	AC2	Inlet connector EN60320
3	DC-OUT 1 / -67 V=	OUT 1	Phoenix CombiCon
4	DC-OUT 2 / -67 V=	OUT 2	Phoenix CombiCon
5	DC-OUT 3 / -67 V=	OUT 3	Phoenix CombiCon
6	DC-OUT 4 / -67 V=	OUT 4	Phoenix CombiCon
7	DC-OUT 5 / -67 V=	OUT 5	Phoenix CombiCon
8	Signal connector	Signal	Phoenix MiniCon

### Control elements (Front panel):

#### Fuse panel:

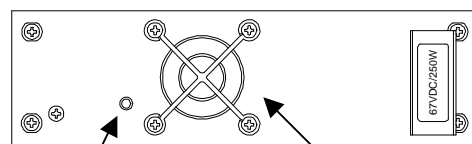


Rotary Selector for current limiting levels

Reset-Button

Status of electronically fuses (LED, red)

#### 250 W Module:



Operating Status (LED, green)

Fan